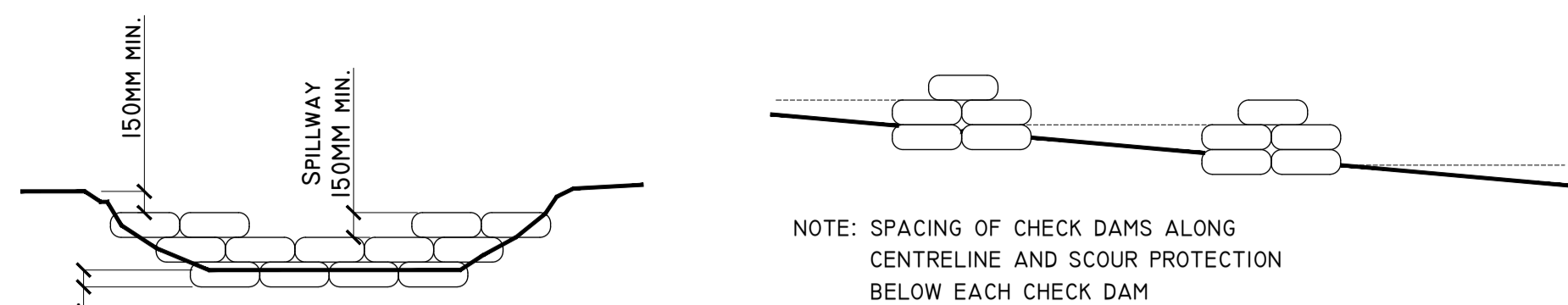
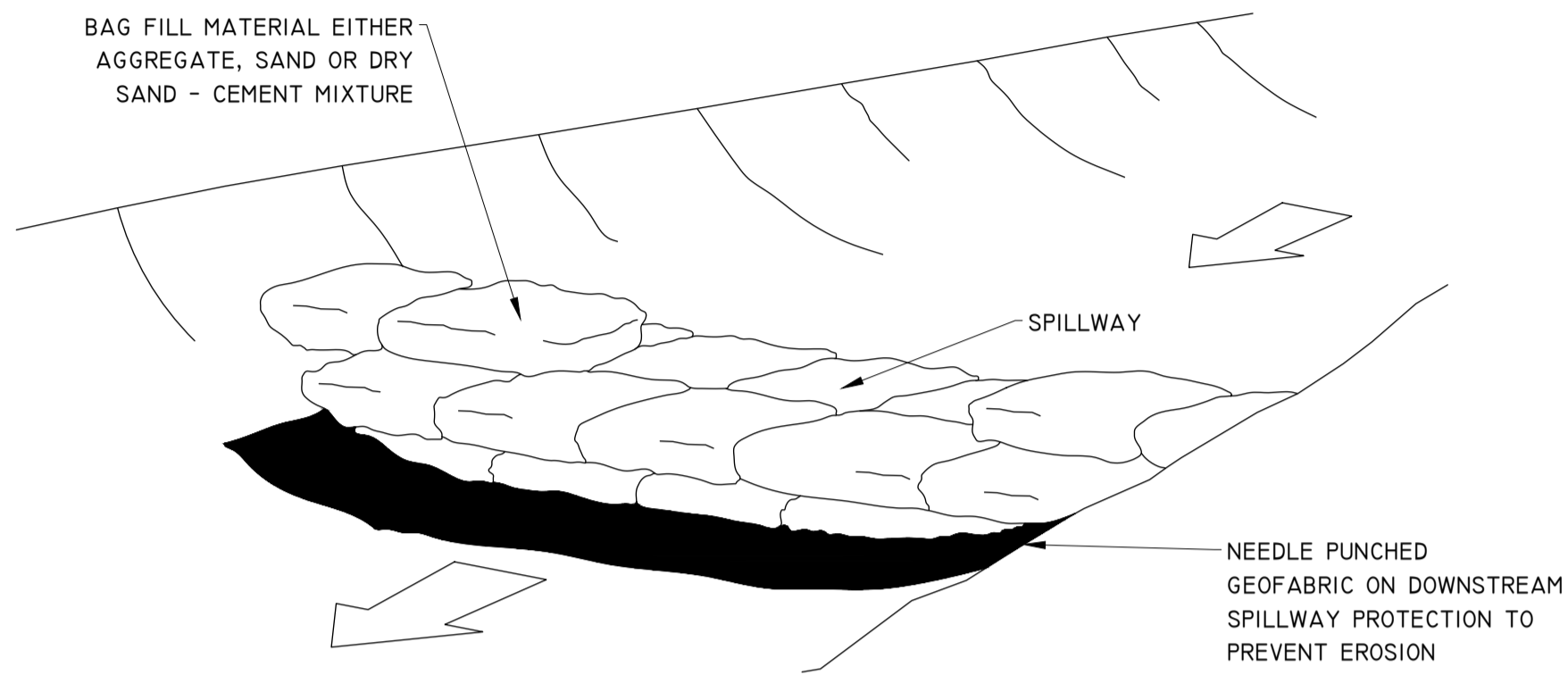


PROJECT DESIGN DRAWING NOTES
 1. DRAWINGS ISSUED ARE FOR PLANNING STAGE ONLY.
 2. COPYRIGHT, ALL RIGHTS RESERVED. NO PART HERE WITH MAY BE COPIED OR REPRODUCED PARTIALLY OR WHOLLY IN ANY FORM WHATSOEVER WITHOUT THE PRIOR NOTICE OF THE COPYRIGHT OWNER HYDRO-ENVIRONMENTAL SERVICES.
 3. DO NOT SCALE OFF THIS DRAWING. FIGURED METRIC DIMENSIONS ONLY SHOULD BE TAKEN OFF THIS DRAWING.



NOTE: SPACING OF CHECK DAMS ALONG CENTRELINE AND SCOUR PROTECTION BELOW EACH CHECK DAM

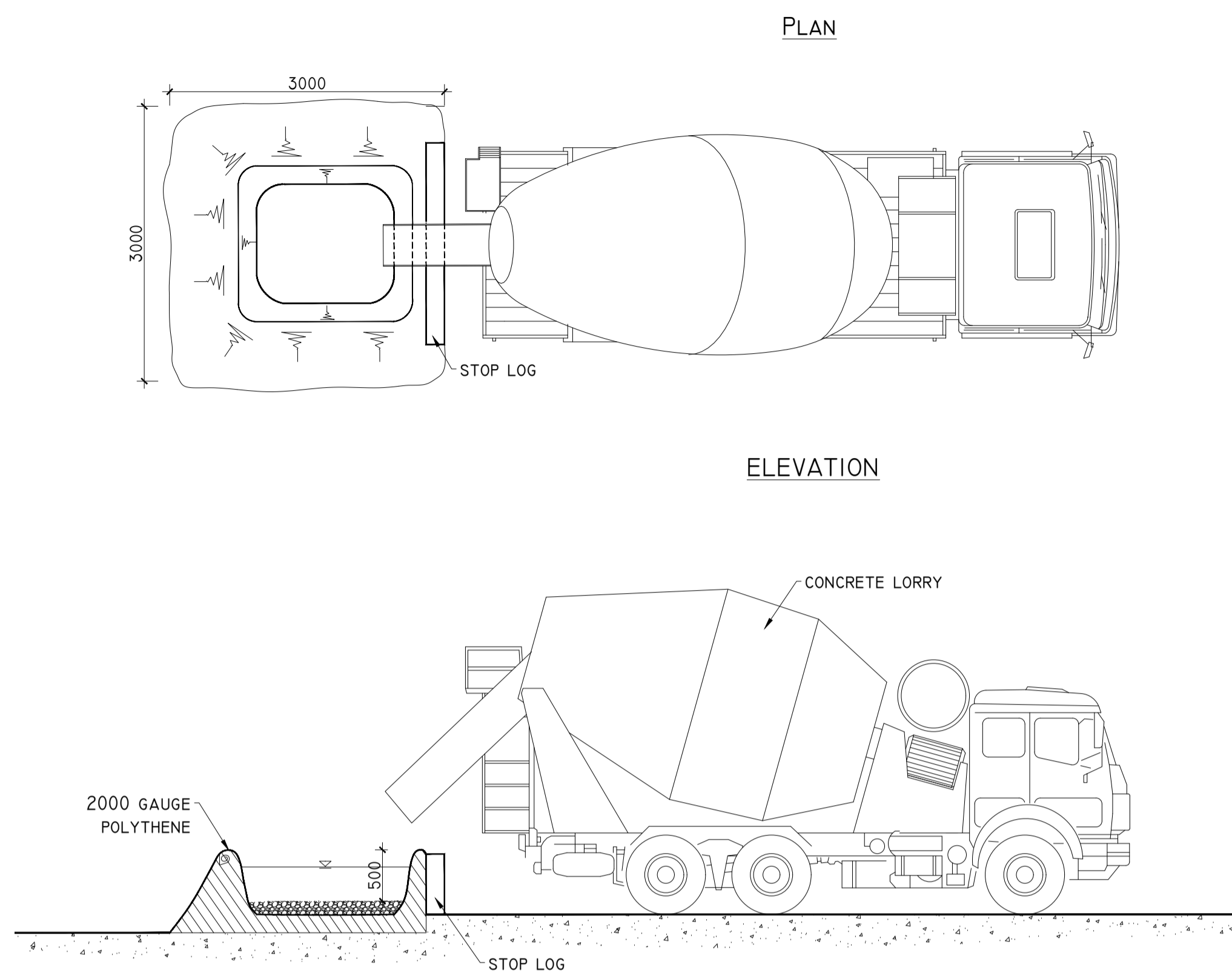
DETAIL C1



TEMPORARY CHECK DAM / SETTLEMENT POND OVERFLOW
 SAND FILLED BAG CONSTRUCTION
 SCHEMATIC - NOT TO SCALE

DETAIL F

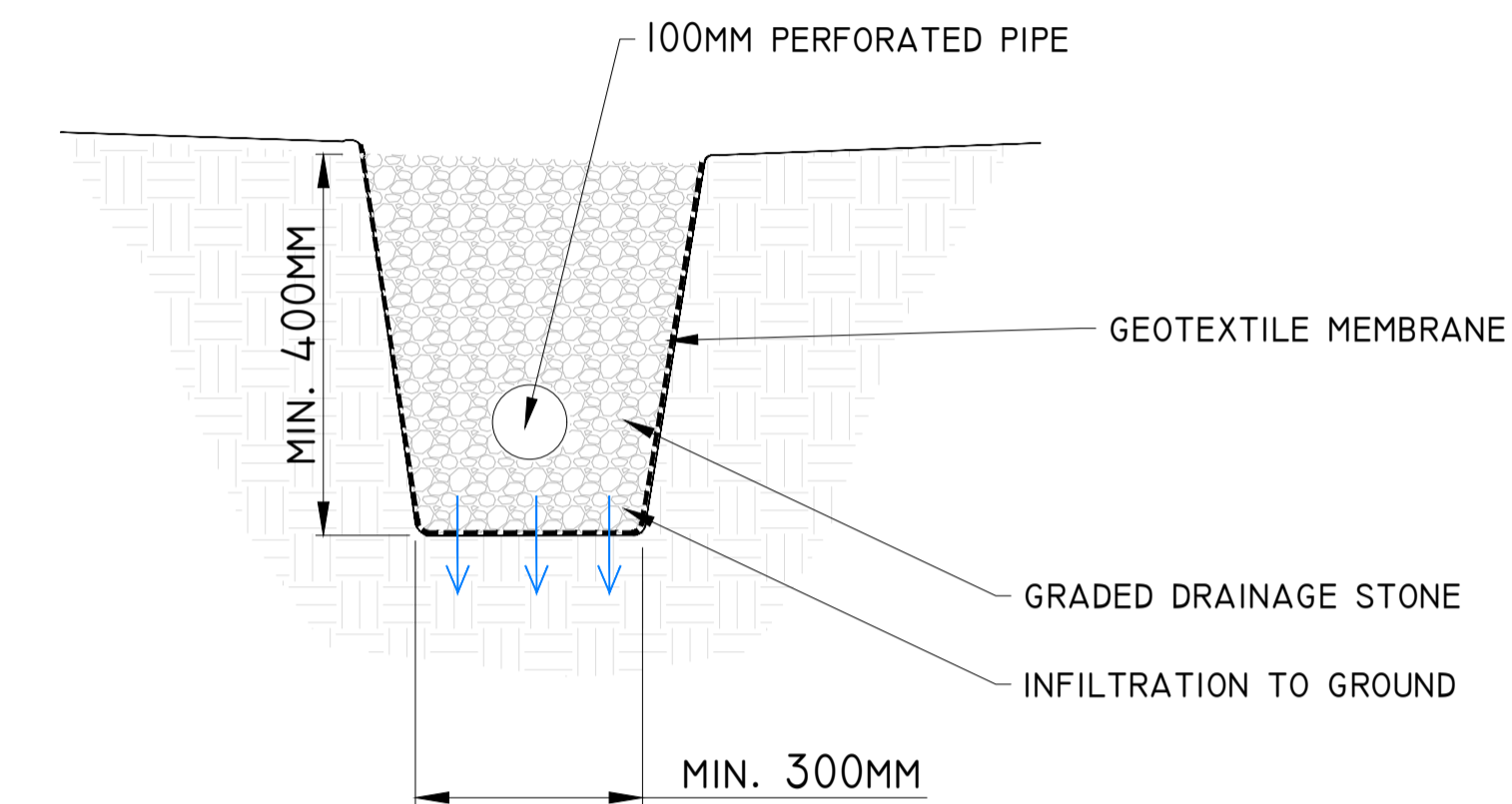
TEMPORARY CONCRETE WASH OUT PIT
 SCALE 1:50



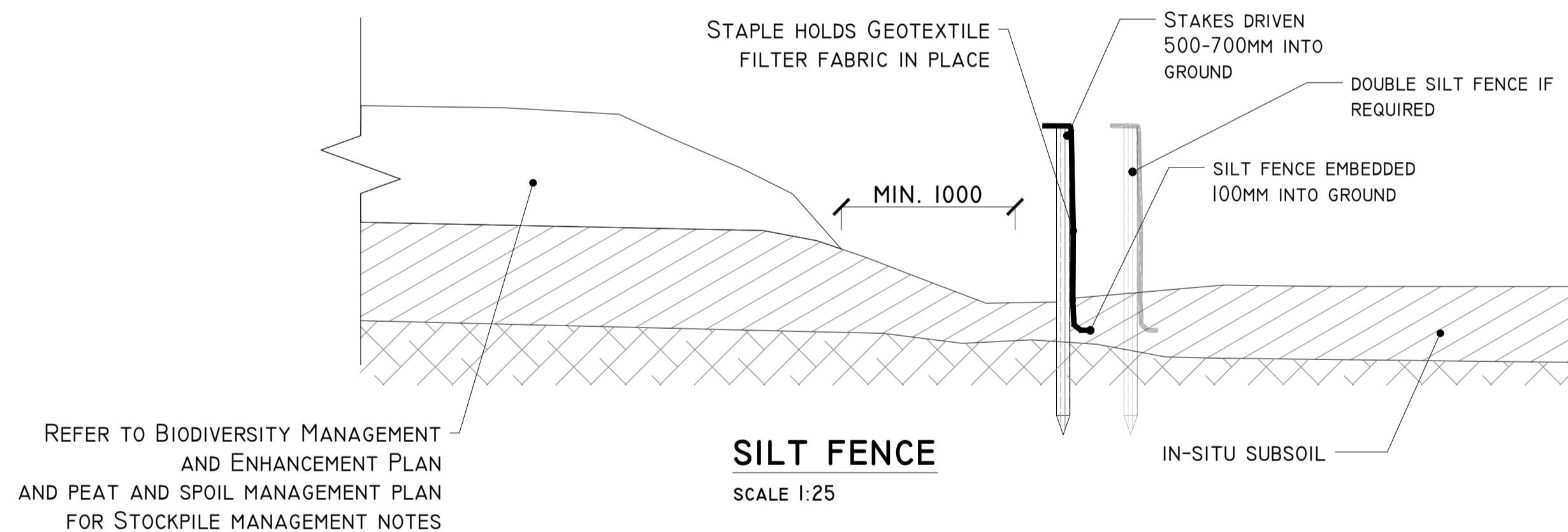
ELEVATION

DETAIL H

FILTER DRAIN DETAIL
 SCALE 1:50



DETAIL E1

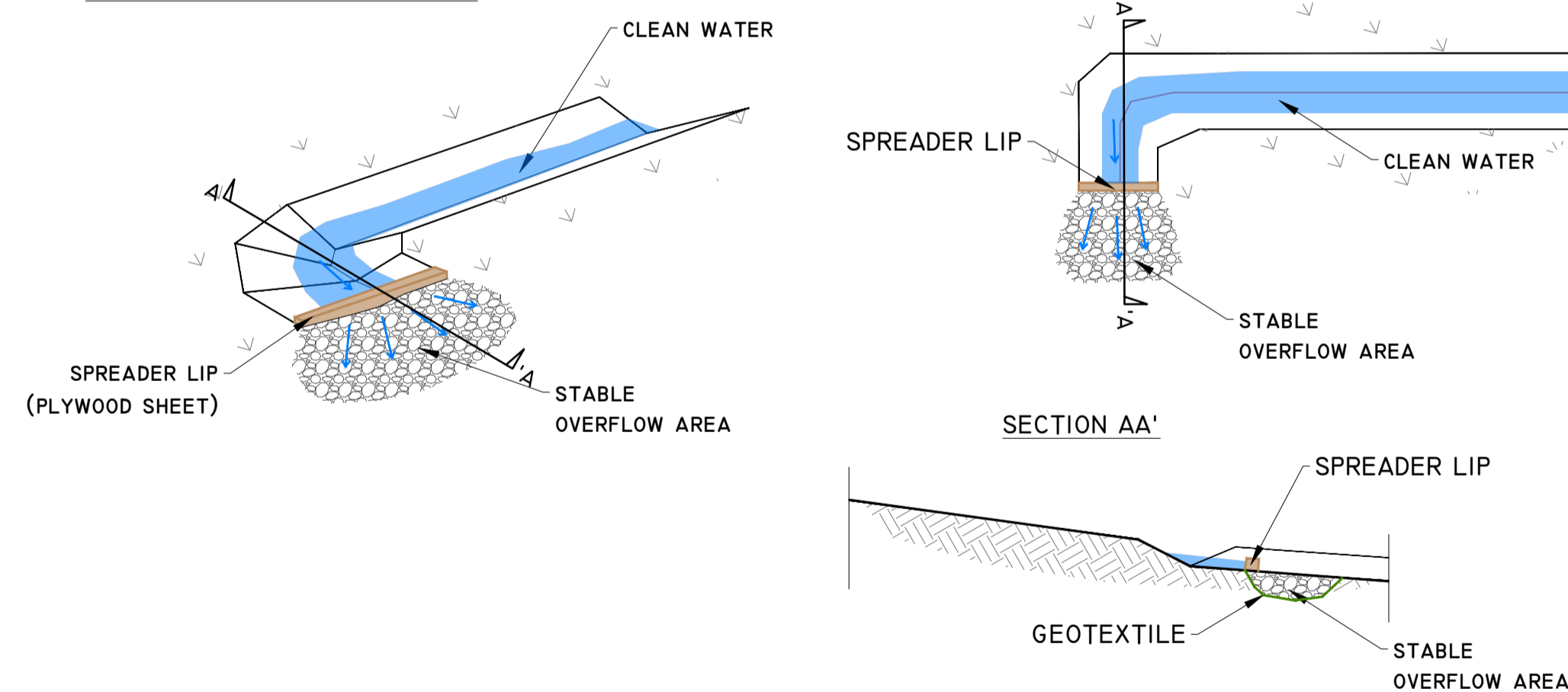


SILT FENCE
 SCALE 1:25

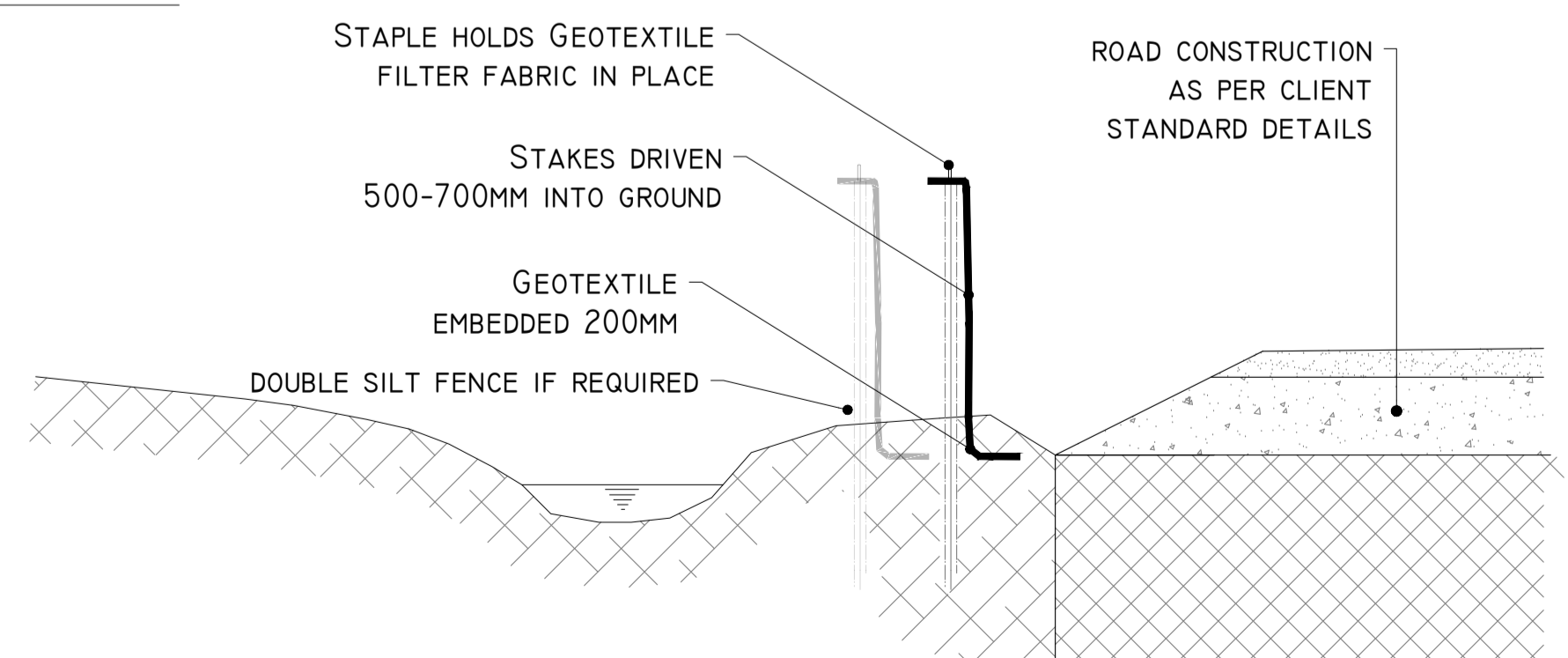
REFER TO BIODIVERSITY MANAGEMENT AND ENHANCEMENT PLAN AND PEAT AND SPOIL MANAGEMENT PLAN FOR STOCKPILE MANAGEMENT NOTES

DETAIL G1

LEVEL SPREADER DETAIL
 SCHEMATIC - NOT TO SCALE



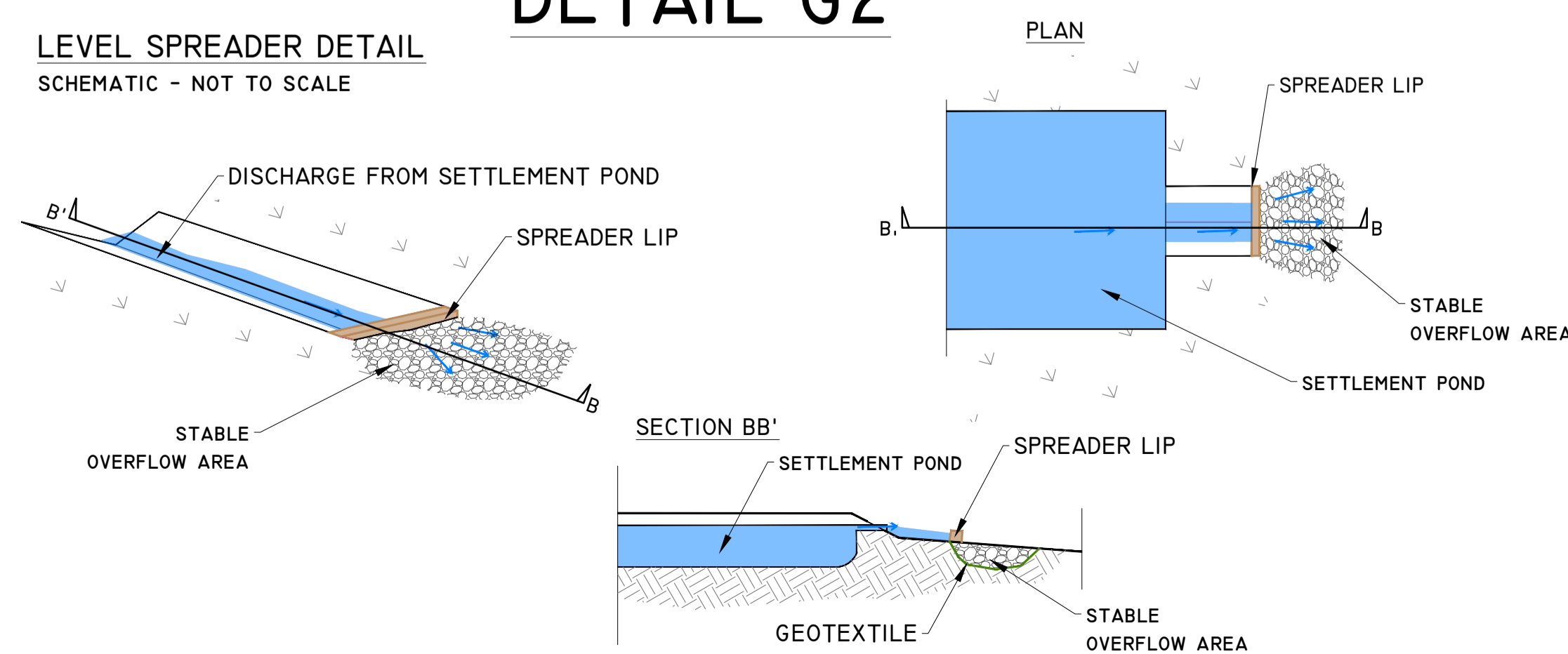
DETAIL E2



SILT FENCE FOR WATERCOURSE PROTECTION
 SCALE 1:25

DETAIL G2

LEVEL SPREADER DETAIL
 SCHEMATIC - NOT TO SCALE



Date	Description	Chkd	Signed
Revisions			

HYDRO ENVIRONMENTAL SERVICES
 22 Lower Main St, Danganwin, Co. Wexford, Ireland
 Tel: +353 (0) 56-44244
 Fax: +353 (0) 56-44244
 Email: info@hydroenvironmental.ie
 Web: www.hydroenvironmental.ie

Client: LAMANAGHAN WIND FARM DAC

Job: LEMANAGHAN WF, Co. OFFALY

Title: DRAINAGE DETAILS 2

Figure No: D502

Drawing No: P1540-0-0326-A1-D502-Rev A

Sheet Size: A1 Project No.: P1540-0

Scale: as shown (A1) Drawn By: GA

Checked By: M.G.