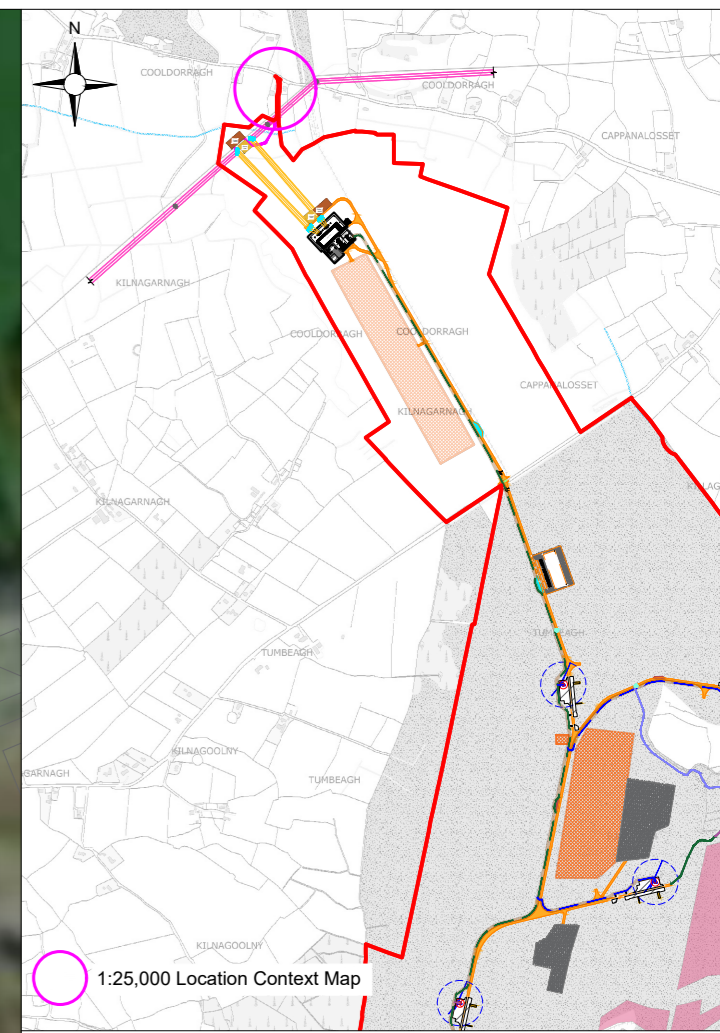




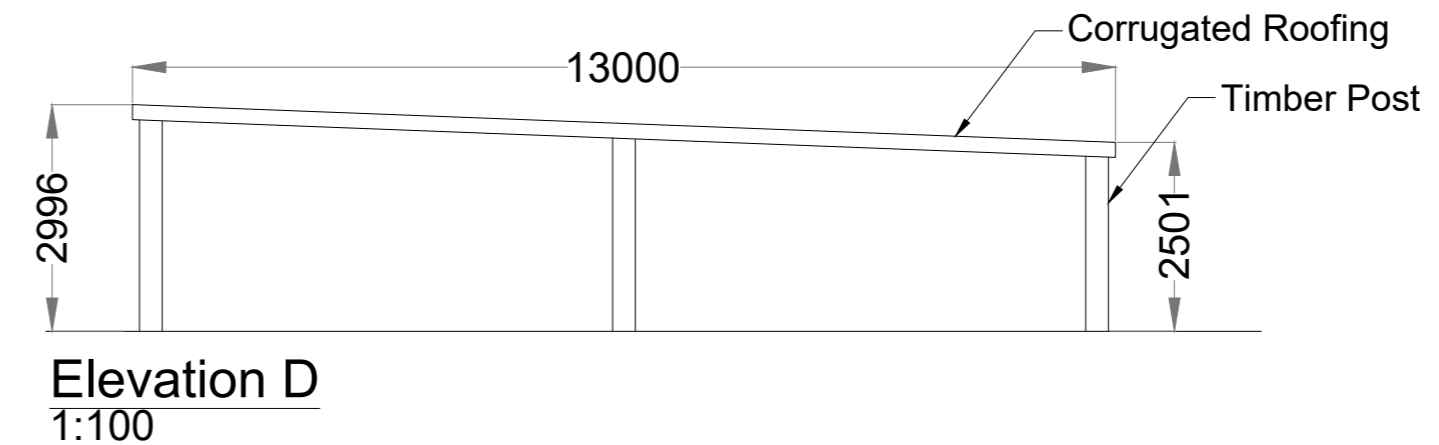
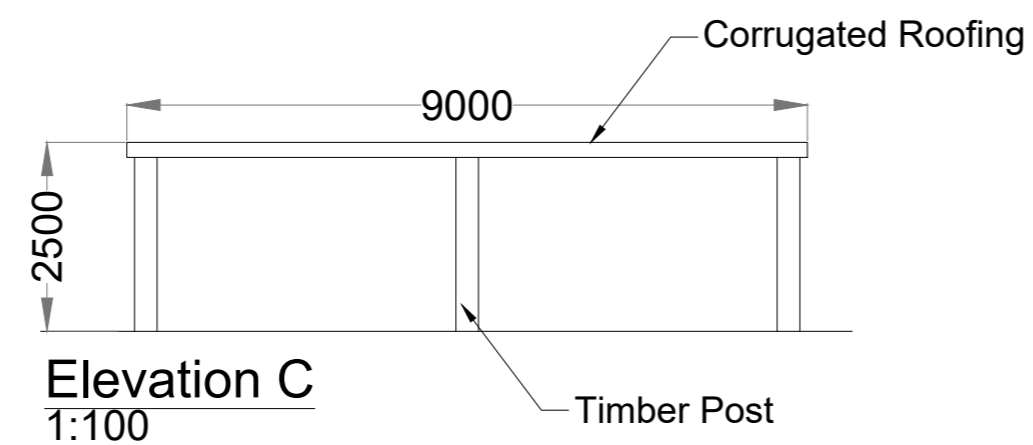
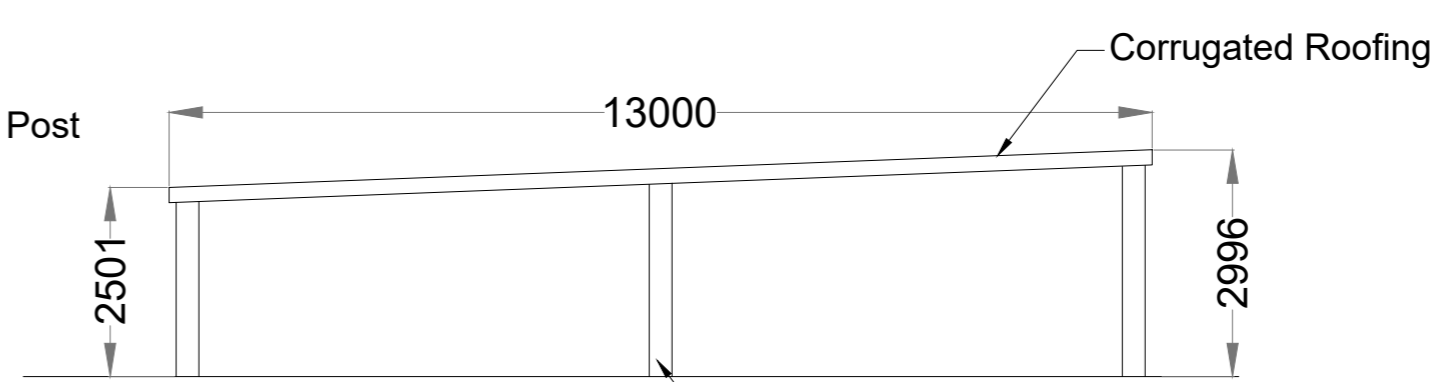
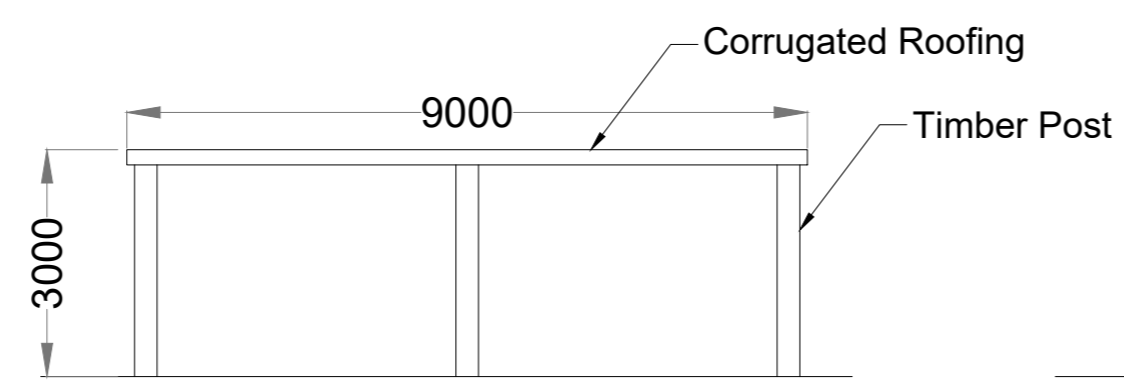
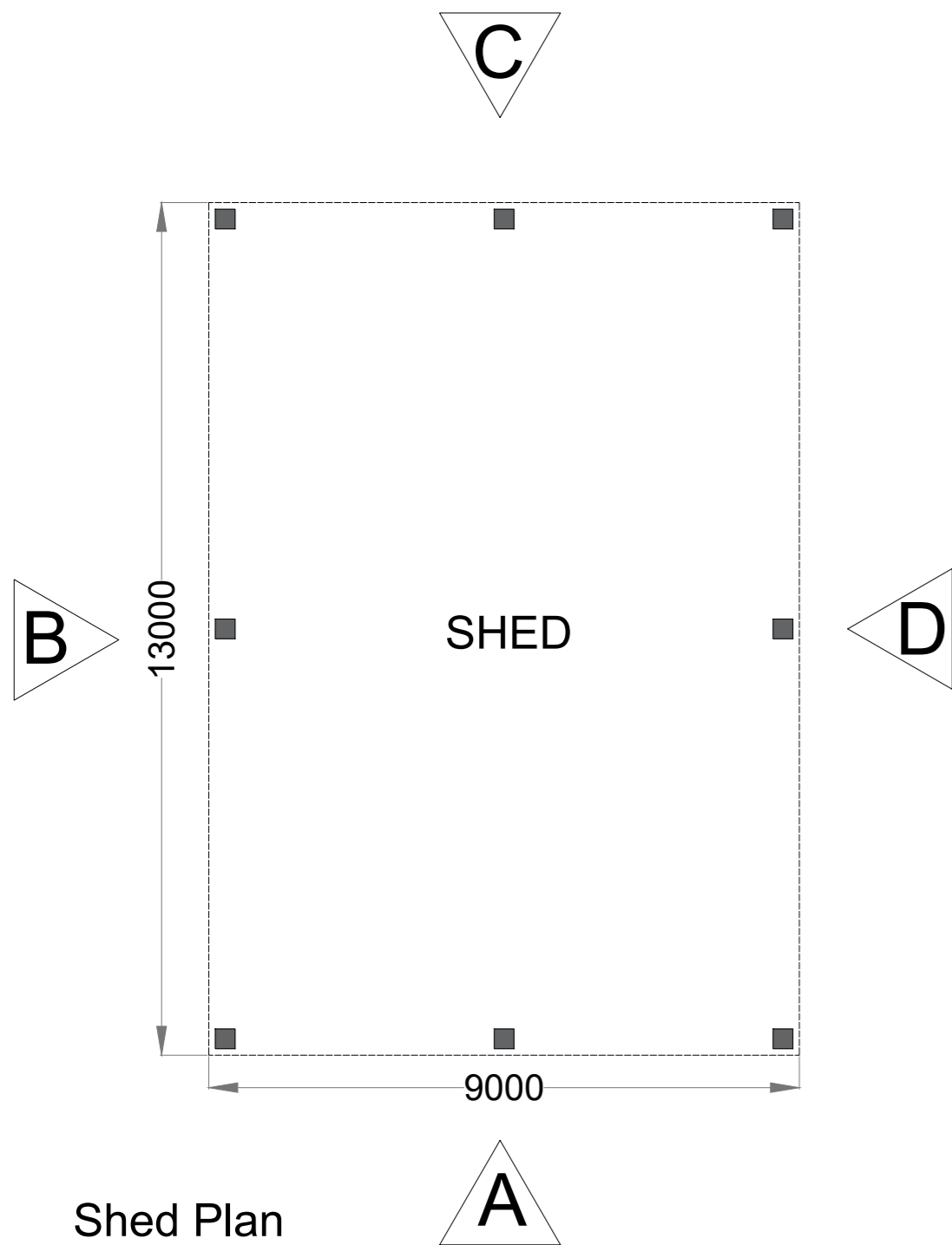
Aerial Site Layout Plan  
1:500

Existing Agricultural Shed to be Removed



1:25,000 Location Context Map

**Note:**  
 All dimensions are in millimetres, unless noted otherwise.  
 All dimensions to be checked on site and any discrepancy to be reported to the engineer.  
 Figured dimensions only to be used, drawings not to be scaled. If in doubt ask.  
 For illustration purposes only. Exact size and appearance of unit subject to manufacturer selection.



PROJECT TITLE: <b>Lemanaghan Wind Farm, Co. Offaly</b>		
DRAWING TITLE: <b>Agricultural Shed to be Removed</b>		
PROJECT No.: <b>200804</b>	DRAWING No.: <b>200804 - 59</b>	SCALE: <b>As shown @ A2</b>
DRAWN BY: <b>GO</b>	CHECKED BY: <b>RD</b>	DATE: <b>23.03.2026</b>
		REVISION: <b>P01</b>



Email: [info@www.mkoireland.ie](mailto:info@www.mkoireland.ie) /Website: [www.mkoireland.ie](http://www.mkoireland.ie)